

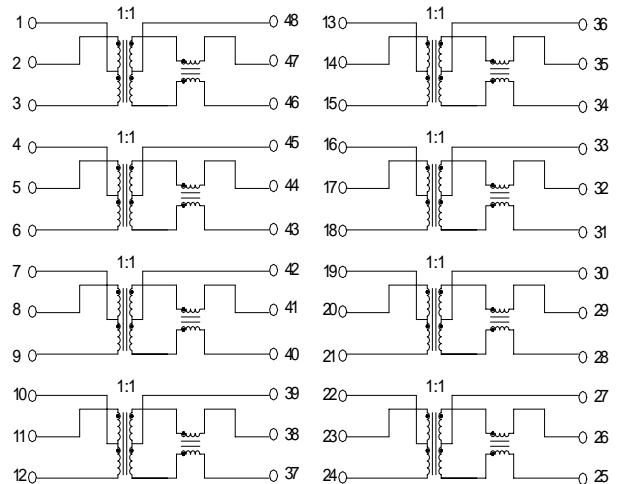
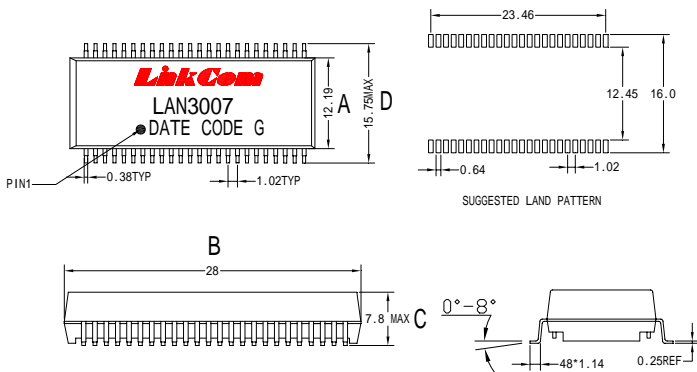
10/100/1000BASE-T Magnetics Module

- Meets IEEE 802.3 standard for 1000BASE-T
- RoHS Compliant
- Dual ports configuration
- Small footprint saves board space
- Operating Temperature: 0 ~70

Electrical Specification @25				
OCL:	350uH Min. @100KHz/0.1V with 8mA DC Bias			
Hi-POT :	1500Vrms.			
Turn Ratio:	1CT:1CT±3%			
D.C.R:	0.9ohm Max.			
Insertion Loss:	0.1-100MHz -1.0dB Max.			
Return Loss:	1-30MHz	40-50 MHz	60-80MHz	100MHz
	-16dB Min.	-13dB Min.	-12dB Min.	-10dB Min.
C.M.R.R:	1-100MHz: -40dB Typ.			
Cross Talk :	30MHz	60MHz	100MHz	
	-43dB Min.	-37dB Min.	-33dB Min.	

Dimensions

Schematic



Units: mm
Unless otherwise specified, all tolerances are ±0.25